

earth safe

Fuel Systems for Critical Power

C8 Control Module

BACnet, Modbus, Metasys N2, or LON Communications



General Description

The C8 Controller is designed to monitor and control diesel fuel transfer for emergency power applications.

- Generator Tank Level Control
- Duplex Pump Control
- Fuel Filtration / Polishing
- Remote Tank Fill Systems

The new modular wiring system allows for simplified integration of input and output devices:

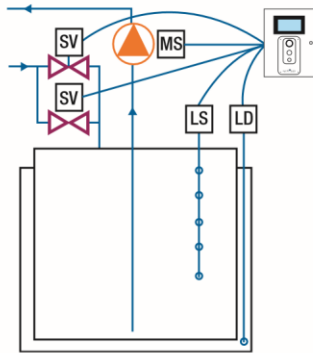
Inputs: (a) tank level sensors, (b) leak detection sensors, (c) flow sensors, (d) pressure sensors, (e) pump current sensors, (f) filter water sensors, (g) filter differential pressure sensors, (h) valve position sensors.

Outputs: (a) solenoid valves, (b) fuel supply pumps, (c) fuel return pumps, (d) actuated ball valves, (e) actuated butterfly valves.



C8 Controller

| | |
|---------------|--|
| Dimensions | 12"H x 12"W x 6"D (300 x 300 x150) |
| Approval | UL / CE |
| Power | 120-240 VAC / 5A / 50-60 Hz Single or Dual Source |
| Enclosure | NEMA 4 Color RAL 7035 (Light Gray) |
| Environmental | -20 to 130F (-30 - 55C) with heater |
| Communication | BACnet, Modbus, Metasys N2, or LON |
| Other | Isolated Inductive Loads 5 Amp Output Relays (Typ) |
| Options | 50 Hz Power CE Approval Intrinsic Safety Barriers Enclosure Heater |
| Modes | Base or Combined Applications for: Generator Tank Level Control Duplex Pump Control Fuel Filtration / Polishing Remote Tank Fill Systems |

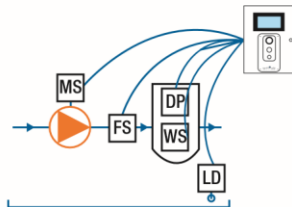
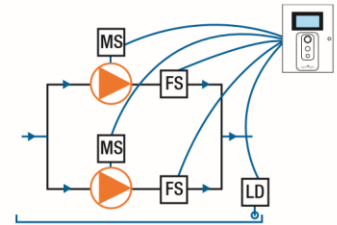


Day Tank Level Control

- Maintains Day Tank Fuel Level
- Alternate Dual Inlet Valves
- Monitors and Activates Overfill Protect Pump
- Alarms: High, Low Warning, Low Alarm, Leak
- Data Share via DeviceNet

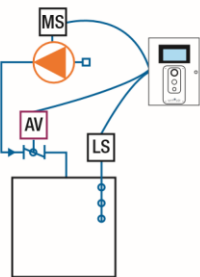
Duplex Pump Control

- Monitor Day Tanks for Fuel Request
- Start and Alternate Pumps
- Monitor Pump Starter for Overload / Not Auto
- Monitor Flow Sensors and Leak Sensor
- Data Share Via DeviceNet



Fuel Filtration Control

- Operate Filter Pump on Timed Cycle
- Monitor Filter Pressure and Water Level
- Signal to Alternate Tanks for Multi Systems
- Data Share Via DeviceNet



Tank Fill Control

- Monitor Tank for High Warn and Alarm
- Operate Tank Inlet Fill Valve
- Operate Tank Fill Pump When Used
- Remote Tank % Fill Display (Optional)
- Data Share Via DeviceNet