

# earth<sup>o</sup> safe

Fuel Systems for Critical Power

## C80 MicroPlex Control Module

Multi-Function Fuel System Controller

BAnet, Modbus, Metasys N2, or LON Communications



### General Description

The C80 MicroPlex Multi-Function Controller is designed to monitor and control diesel fuel transfer for emergency power applications.

The C80 MicroPlex, like the C800 OmniPlex Module, is customized with operating software to provide required operating functions for over 6 common applications:

- Generator Tank Level Control
- Duplex Pump Control
- Fuel Filtration / Polishing
- Multi-Tank Selection Control
- Remote Tank Fill Systems
- Dual Tank Full Systems

The new modular wiring system allows for simplified integration of input and output devices:

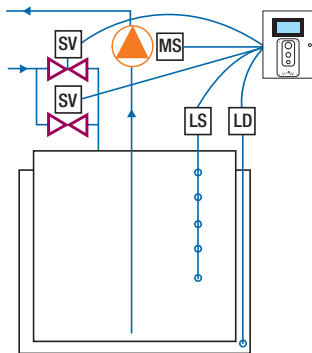
**Inputs:** (a) tank level sensors, (b) leak detection sensors, (c) flow sensors, (d) pressure sensors, (e) pump current sensors, (f) filter water sensors, (g) filter differential pressure sensors, (h) valve position sensors.

**Outputs:** (a) solenoid valves, (b) fuel supply pumps, (c) fuel return pumps, (d) actuated ball valves, (e) actuated butterfly valves.



**MicroPlex Module**

Dimensions	12"H x 8"W x 6" D (300 x 200 x 150)
Approval	UL / CE
Power	120-240 VAC / 5 A / 50-60 Hz Single or Dual Source
Enclosure	NEMA 4 Color RAL 7035 (Light Gray)
Environmental	-20 to 130F (-30 - 55C) with heater
Communication	BACnet, Modbus, Metasys N2, or LON
Other	Isolated Inductive Loads 5 Amp Output Relays (Typ)
Options	50 Hz Power CE Approval Intrinsic Safety Barriers Enclosure Heater
Modes	Base or Combined Applications for: Generator Tank Level Control Duplex Pump Control Fuel Filtration / Polishing Multi-Tank Selection Control Remote Tank Fill Systems

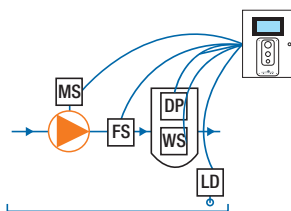
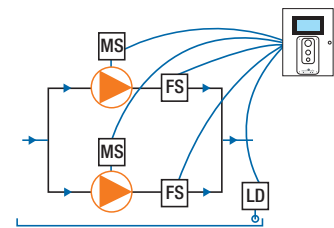


### Day Tank Level Control

- Maintains Day Tank Fuel Level
- Alternate Dual Inlet Valves
- Monitors and Activates Overfill Protect Pump
- Alarms: High, Low Warning, Low Alarm, Leak
- Data Share via DeviceNet

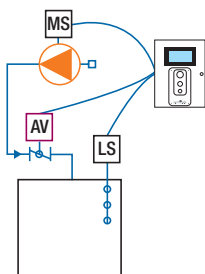
### Duplex Pump Control

- Monitor Day Tanks for Fuel Request
- Start and Alternate Pumps
- Monitor Pump Starter for Overload / Not Auto
- Monitor Flow Sensors and Leak Sensor
- Data Share Via DeviceNet



### Fuel Filtration Control

- Operate Filter Pump on Timed Cycle
- Monitor Filter Pressure and Water Level
- Signal to Alternate Tanks for Multi Systems
- Data Share Via DeviceNet



### Tank Fill Control

- Monitor Tank for High Warn and Alarm
- Operate Tank Inlet Fill Valve
- Operate Tank Fill Pump When Used
- Remote Tank % Fill Display (Optional)
- Data Share Via DeviceNet