

## M1-FCM

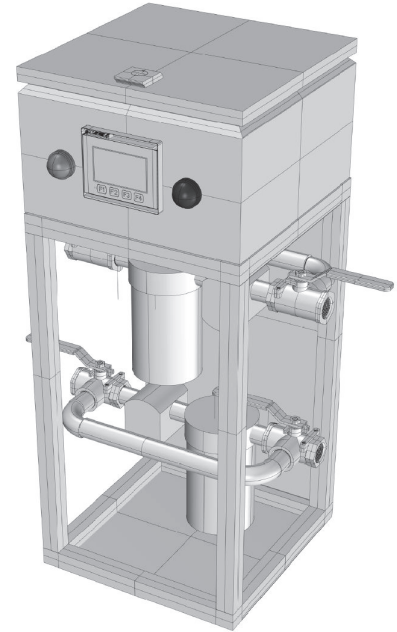
### FUEL CONSUMPTION MODULES FOR GENSETS

- HIGH ACCURACY, TEMP COMPENSATED
- FLOW RATE MEASUREMENT AND RECORD

The M1-FCM is a high accuracy fuel metering system for engine generators to measure consumption rate and run event total consumption.

The high accuracy meters with temperature compensation measure the supply and return flow as inputs to the PLC based controller with local HMI and Modbus connectivity.

Inlet and discharge pressure sensors monitor flow to minimize engine fuel flow pressure. Bypass valving allow the direct to engine flow to-from the fuel source.



<b>Meter Type</b>	Electronic Oval Gear
<b>Meter Materials</b>	Aluminum Viton Soft Goods
<b>Flow Capacity</b>	Up to 20 GPM 80 LPM
<b>Pressure Capacity</b>	Rated to 100 PSI
<b>Inlet / Outlet</b>	1 – 20 GPM – 3/4 IN NPT
<b>Accessories</b>	Bypass Ball Valve Check Valve Flow Conditioner Pressure Transmitter Containment Basin
<b>Sensors</b>	Flow Meter Flow Transmitter Temperature Transmitter Pressure Transmitter

<b>Motor</b>	Not Applicable
<b>Power</b>	120-230 VAC, 1 PH, 50-60 Hz Optional 24 VDC
<b>Controllers</b>	C8 Multi-Function Controller Power / Alarm Light
<b>Order</b>	M1-FCM Fuel Consumption Module 20 GPM

