

EARTHSAFE

FUEL SYSTEMS FOR CRITICAL POWER

MP3C

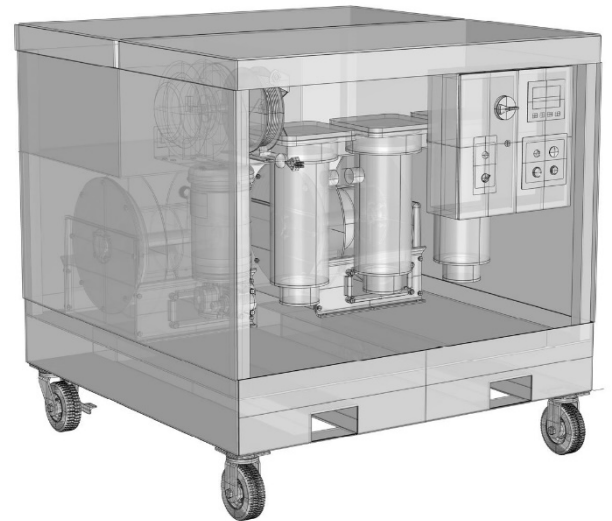
MP3C: Mobile Fuel Polisher for Generator Yards

Specifically designed for fuel polishing of generator sub-base tanks. The MP3C is designed for outdoor generator yard operation. 50 feet hose reels for supply and return tubing allow clean simple operation.

3-Stage filtration all with top access filter changeout. 10 Micron Bag Filter + 1 Micron Coalescing Separator + 1 Micron Water Absorbing Finishing Stage.

- High suction variable speed pump with flow meter
- Sensors for filter pressure, water, leak
- Sensors for water content and ISO particle count
- PLC with HMI Interface

Low Power Design, 12A at 120VAC for Standard Plug-In



Dimensions	48" W x 48" H x 48" D (1200W x 1200H x 1200D)
Flow Capacity	20 GPM (80 LPM) 1000 GAL per Hour
Pressure Capacity	Standard 25 PSI Max. 100 PSI (690kPa)
Pump Type	Positive Displacement Viking H475 Series
Filters	10 Micron Bag Filter 1 Micron Filter Coalescer 1 Micron Water Absorbing Racor FBO-14 Filter Elements
Weight (Estimate)	600 LB (140 KG)
Standard Accessories)	50 FT Supply + Return Hoses Spring Rewind Hose Reel 100 FT Power Cord Reel 50 FT Grounding Cable Reel Flow Meter - Electronic Water Content Meter Particle Counter 5 Pressure Transmitters Holding Tank Level and High Tank Suction-Return Devices
Construction	Welded Aluminum Containment Basin (20 GAL) Liquid Holding Tank (50 GAL)

Motor	TEFC (IP 55)
Power	120-230 VAC, 1P, 50-60 Hz 12 A at 120 VAC
Controller	C8+C2V Controller
Operators	On-Off Pump Pushbuttons Auto-Stop on Time or Flow
Interface	Weatherproof Color HMI Display Filter Pressures, Flow Rate, Flow Total, Water Content, Particle Count
Communication (Optional)	CANbus Output to Cellular Cloud Based Report Mgmt
Optional Accessories	Insulated Heated Enclosure SS Enclosure
How to Order	MP3C Mobile Fuel Polisher For Generator Yards