

# EARTHSAFE

FUEL SYSTEMS FOR CRITICAL POWER

## MP3T

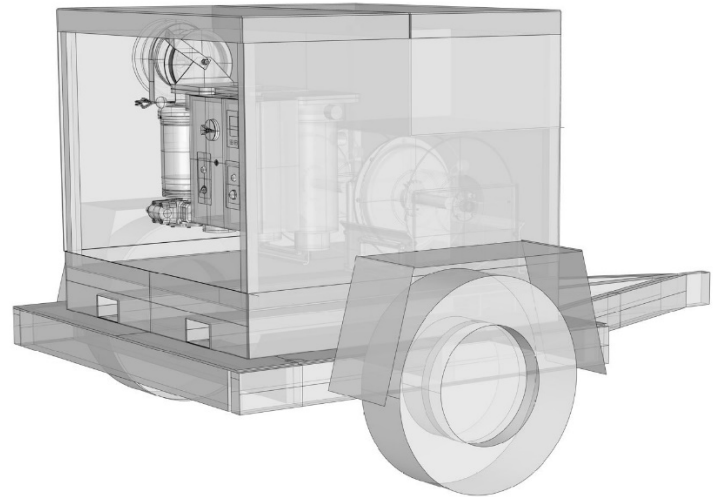
### MP3T: Mobile Fuel Polisher for Generators

Specifically designed for fuel polishing of generator sub-base and day tanks. The MP3T is designed for distributed sites and campus environments. 50 feet hose reels for supply and return tubing allow clean simple operation.

3-Stage filtration all with top access filter changeout. 10 Micron Bag Filter + 1 Micron Coalescing Separator + 1 Micron Water Absorbing Finishing Stage.

- High suction variable speed pump with flow meter
- Sensors for filter pressure, water, leak
- Sensors for water content and ISO particle count

Low Power Design, 12A at 120VAC for Standard Plug-In



<b>Dimensions</b>	84" W x 60" H x 96"L (1000W x 1500H x 2500L)
<b>Flow Capacity</b>	20 GPM (80 LPM) 1000 GAL per Hour
<b>Pressure Capacity</b>	Standard 25 PSI Max. 100 PSI (690kPa)
<b>Pump Type</b>	Positive Displacement Viking H475 Series
<b>Filters</b>	10 Micron Bag Filter 1 Micron Filter Coalescer 1 Micron Water Absorbing Racor FBO-14 Filter Elements
<b>Weight (Estimate)</b>	600 LB (140 KG)
<b>Standard Accessories)</b>	50 FT Supply + Return Hoses Spring Rewind Hose Reel 100 FT Power Cord Reel 50 FT Grounding Cable Reel Flow Meter - Electronic Water Content Meter Particle Counter 5 Pressure Transmitters Holding Tank Level and High Tank Suction-Return Devices
<b>Construction</b>	Welded Aluminum Containment Basin (20 GAL) Liquid Holding Tank (50 GAL)

<b>Motor</b>	TEFC (IP 55)
<b>Power</b>	120-230 VAC, 1P, 50-60 Hz 12 A at 120 VAC
<b>Controller</b>	C8+C2V Controller
<b>Operators</b>	On-Off Pump Pushbuttons Auto-Stop on Time or Flow
<b>Interface</b>	Weatherproof Color HMI Display Filter Pressures, Flow Rate, Flow Total, Water Content, Particle Count
<b>Communication (Optional)</b>	CANbus Output to Cellular Cloud Based Report Mgmt
<b>Optional Accessories</b>	Insulated Heated Enclosure SS Enclosure
<b>How to Order</b>	MP3C Mobile Fuel Polisher For Generator Yards