

MP4B

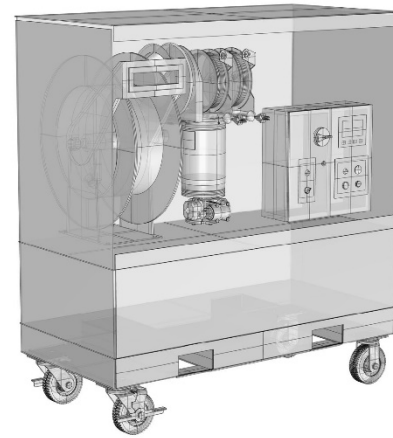
MP4B: Mobile Fuel Refill for Gensets in-Buildings

Specifically designed for fuel refill (top-off) of generators. The MP4B is designed to move through indoor generator rooms to access multi-generator installations. 50 feet hose reels allow clean simple operation.

A Positive Displacement Pumps deliver fresh fuel to the generator.

- Variable speed pump with flow meter
- Sensors for flow meter, tank level, and leak
- PLC with HMI Interface

Low Power Design, 12A at 120VAC for Standard Plug-In



Dimensions	24" W x 48" H x 48" L (600W x 1200H x 1200D)
Flow Capacity	10 GPM (40 LPM) 600 GAL per Hour
Pressure Capacity	Standard 25 PSI
Pump Type	Positive Displacement Viking H475 Series
Tanks	50 GAL Diesel Aluminum Construction
Weight (Estimate)	1000 LB (450 KG) Empty 1500 LB (1100 KG) Operating
Standard Accessories)	50 FT Fuel Hose Spring Rewind Hose Reel 100 FT Power Cord Reel 50 FT Grounding Cable Reel Flow Meter - Electronic Holding Tank Level and High
Construction	Welded Aluminum Containment Basin Forklift Pockets

Motor	TEFC (IP 55)
Power	120-230 VAC, 1P, 50-60 Hz 12 A at 120 VAC
Controller	C8+C2V Controller
Operators	On-Off Pump Pushbuttons Auto-Stop on Time or Flow
Interface	Weatherproof Color HMI Display Flow Rate, Flow Total, Tank Level and GAL
Communication (Optional)	CANbus Output to Cellular Cloud Based Report Mgmt
Optional Accessories	Insulated Heated Enclosure SS Enclosure
How to Order	MP4B Mobile Fuel Refill for Gensets In-Building