

## MP4T

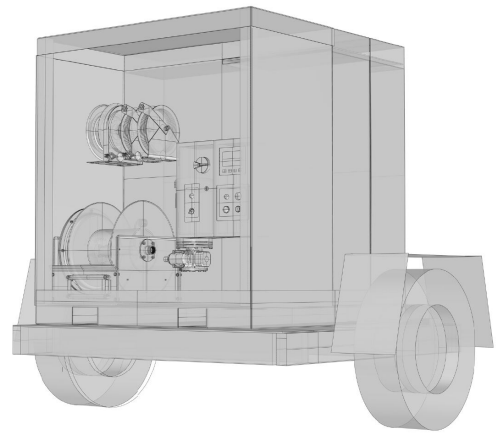
### MP4T: Genset Mobile Fuel Refill on Trailer

Specifically designed for fuel refill (top-off) of generators. The MP4T is designed for distributed generators and campus environments. 50 feet hose reels for fuel allow clean simple operation.

A Positive Displacement Pumps deliver fresh fuel to the generator.

- High suction variable speed pump with flow meter
- Sensors for flow meter, tank level, and leak
- PLC with HMI Interface

Low Power Design, 12A at 120VAC for Standard Plug-In



<b>Dimensions</b>	84" W x 60" H x 96" L (1000W x 1500H x 2400D)
<b>Flow Capacity</b>	10 GPM (40 LPM) 600 GAL per Hour
<b>Pressure Capacity</b>	Standard 25 PSI
<b>Pump Type</b>	Positive Displacement Viking H475 Series
<b>Tanks</b>	100/100 GAL Diesel Fuel Aluminum Construction 50/50, 150/150, and 200/200 GAL Combination are Available
<b>Weight (Estimate)</b>	1000 LB (450 KG) Empty 2500 LB (1100 KG) Operating
<b>Standard Accessories)</b>	50 FT Fuel Hoses Spring Rewind Hose Reel 100 FT Power Cord Reel 50 FT Grounding Cable Reel Flow Meter - Electronic Holding Tank Level and High
<b>Construction</b>	Welded Aluminum Containment Basin Forklift Pockets

<b>Motor</b>	TEFC (IP 55)
<b>Power</b>	120-230 VAC, 1P, 50-60 Hz 12 A at 120 VAC
<b>Controller</b>	C8+C2V Controller
<b>Operators</b>	On-Off Pump Pushbuttons Auto-Stop on Time or Flow
<b>Interface</b>	Weatherproof Color HMI Display Flow Rate, Flow Total, Tank Level and GAL
<b>Communication (Optional)</b>	CANbus Output to Cellular Cloud Based Report Mgmt
<b>Optional Accessories</b>	Insulated Heated Enclosure SS Enclosure
<b>How to Order</b>	MP4T Genset Fuel Refill Unit on Trailer