

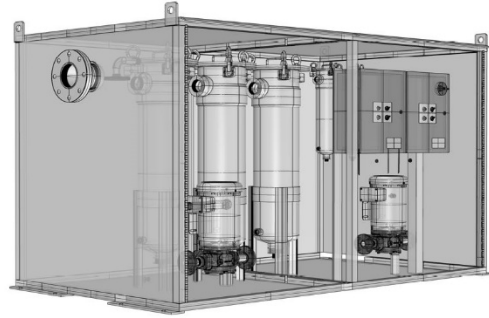
EARTHSAFE

WATER RECYCLING SYSTEMS

WQ25

WQ25: Advanced Treatment for Water Recycle

- Modular Treatment for Water Purification
- Ozone Treatment
- UV Treatment and Final Filtration
- Granular Media Filtration
- Ultra-Filtration Systems



| | |
|--|---|
| Shell Material | Aluminum (-A), |
| Controller | C8 Control Panel |
| Power | 120-230 VAC, 1P, 50-60 Hz |
| Interface | Power ON Light Alarm Light Modbus to BMS |
| Output Relays (Dry Contact) | Common Alarm |
| Standard Accessories | Weatherproof – Secure Insulated and Heated UL Listed Electrical |
| Optional Accessories | |
| | |

| Model | GPM | LxWxH IN | In-Out IN |
|------------------------|---|-----------|-----------|
| WQ25.0404 | 25 | 48x48x72 | 1 |
| WQ25.0408 | 50 | 96x48x72 | 2 |
| WQ25.0612 | 100 | 120x72x84 | 3 |
| | | | |
| -FFT | Fine Filtration | | |
| -UVT | Ultraviolet Treatment | | |
| -GFT | Granular Filtration | | |
| -UFT | Ultra Filtration / RO | | |
| -ADT | Bio-Reactor Treatment | | |
| -MBR | Membrane Bio-Reactor | | |
| -OZT | Ozone Treatment | | |
| | | | |
| Other Equipment | Primary Treatment: Clarifier / Oil Separator Water Storage Tanks / Cisterns Discharge Pump and Control for: <ul style="list-style-type: none"> • Irrigation • Cooling Tower • Washwater | | |