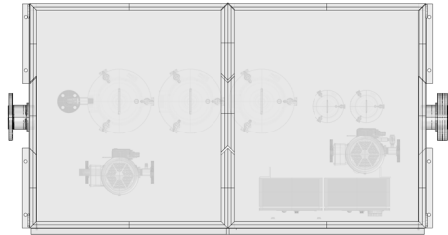
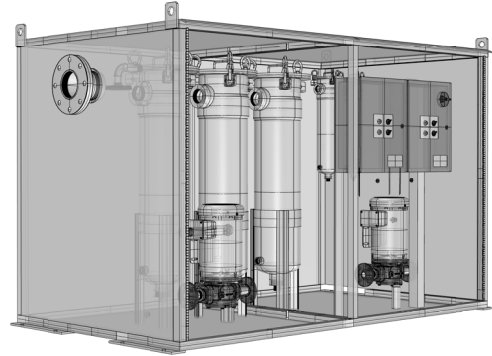


TOP VIEW

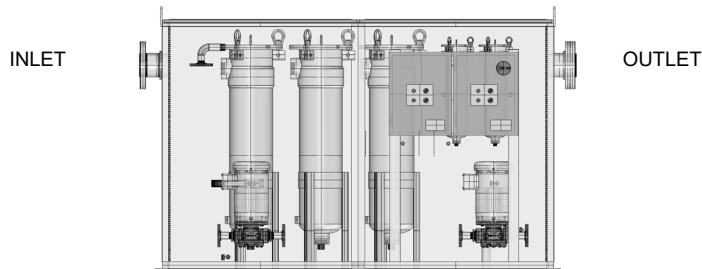


PERSPECTIVE



ALTERNATE ARRANGEMENT OF MODULES
TO FIT AVAILABLE SPACE

SIDE VIEW



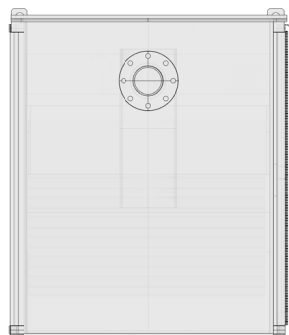
ADVANCED TREATMENT

MODEL	L	W	H	FLOW	IN-OUT
WQ	IN	IN	IN	GPM	IN
25.0404	48	48	72	25	1
25.0408	96	48	72	50	2
25.0612	120	72	84	100	3

ADVANCED TREATMENT OPTIONS

FFT	FINE FILTRATION
UVT	ULTRAVIOLET
GFT	GRANULAR FILTRATION
UFT	ULTRA FILTRATION
ADT	BIO-TREATMENT
MBR	MEMBRANE BIO-REACTOR
OZT	OZONE TREATMENT

FRONT VIEW



ACCESSORY OPTIONS

MARK	X	DESCRIPTION
1	X	HDPE CONSTRUCT STD
1		ALUM CONSTRUCT
2		STAINLESS 304 CONSTRUCT
3		INSULATION
4		HEATER
5		EXTERIOR COAT SPEC
6		INTERIOR COAT SPEC
7		SLUDGE HOPPER
8		WATER PUMP DISCHARGE
9		OIL SENSOR / ALARM
10		HIGH WATER ALARM
11		
12		
13		